

# Industrial PoE Switch

SP3006F | SP3010F

## Overview

Wi-Tek Superic industrial unmanaged PoE switch provide 4/8 Gigabit Ethernet RJ-45 ports and 2 Gigabit SFP uplink ports. All RJ-45 ports comply with 802.3af/at PoE (PoE+) standard and output up to 30W PoE power per port.

Professional design providing a flexible, easy to use and reliable industrial network solution. Redundant power design with polarity reverse/over-voltage/over-current protection, guarantee the safe power supply. Solid shell, wide operation temperature from  $-40^{\circ}\text{C}$  to  $75^{\circ}\text{C}$  and high-level EMI/EMC capability design, ensure its stable and reliable operation even in harsh environment.

It is the best choice for outdoor CCTV project, wireless coverage project and the project of industrial application scenarios such as factory and transportation.

## Key Features

### Full Gigabit Interfaces Design

#### SP3006F:

4×10/100/1000 Base-T PoE+ and 2×1000 Base-X SFP ports

#### SP3010F:

8×10/100/1000 Base-T PoE+ and 2×1000 Base-X SFP ports

### $-40\sim 75^{\circ}\text{C}$ Operating Temperature

$-40\sim 75^{\circ}\text{C}$  working temperature design, makes it meet the requirement of harsh application environment.

### High Level Protection Design

6kV surge immunity for power and Ethernet ports, 15kV air discharge and 8kV contact discharge ESD protection, makes it an ideal choice for outdoor application scenario.

### Multiple Smart DIP Mode

#### 1. VLAN Mode:

All downlink ports are isolated from each other, but can communicate with uplink ports.

#### 2. Extend Mode:

The transmission distance of port 1-2 (SP3006F) / 1-4 (SP3010F) can be up to 250m, but the rate is limited to 10Mbps.

#### 3. QoS Mode:

Port 1-2 (SP3006F) / 1-4 (SP3010F) are on high data transmit priority.

#### 4. PoE Watchdog Mode:

All PoE ports enable PoE watchdog, which can detect and reboot the offline compliant PoE powered devices.

### Redundant DC Power Input Design

Support redundant 44-57V DC power input, provide reliable alternative power access solutions.



# Specifications

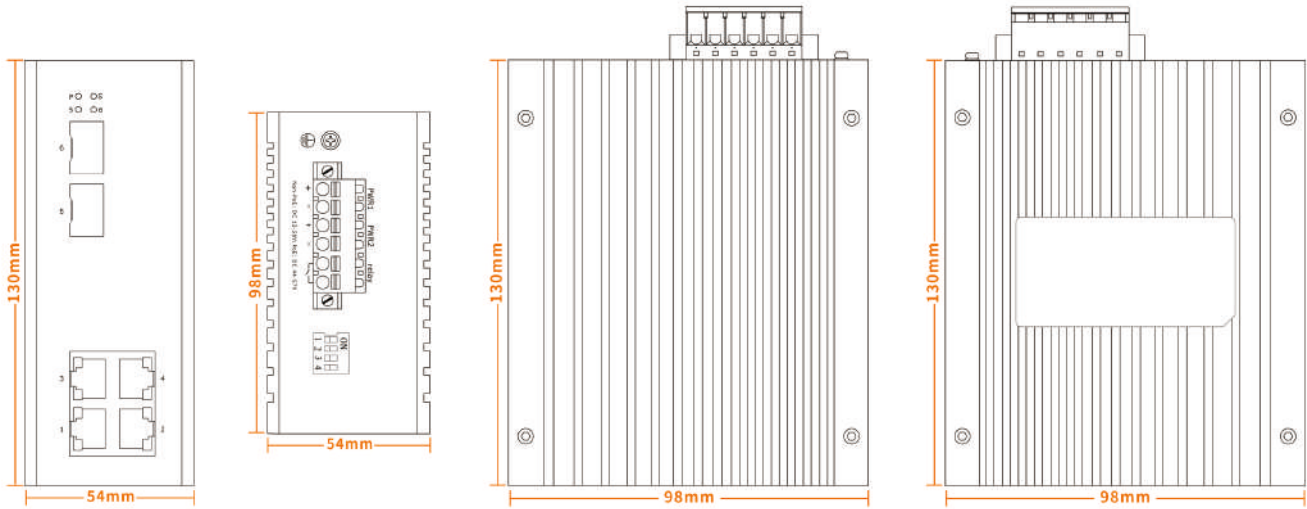
Hardware Specification		
Model	SP3006F	SP3010F
<b>Interfaces</b>		
Downlink Ports	4*10/100/1000 Base-T PoE+ RJ-45(Auto-MDI/MDI-X)	8*10/100/1000 Base-T PoE+ RJ-45(Auto-MDI/MDI-X)
Uplink Ports	2*1000 Base-X SFP	
Alarm Port	One power failure alarm relay output port. Alarm relay current carry ability: 1A@24VDC	
<b>PoE</b>		
PoE Standard	IEEE 802.3af/at (PSE)	
PoE Power Supply Type	End-span	
PoE Pin Assignment	1/2(+), 3/6(-)	
PoE Power Output	46~55V DC	
PoE Power	30W max for each port, 120W max	30W max for each port, 240W max
<b>Switch Property</b>		
Standards	IEEE 802.3 10Base-T Ethernet IEEE 802.3u Fast Ethernet IEEE 802.3ab Gigabit Ethernet IEEE 802.3x Full-Duplex Flow Control IEEE 802.3az Energy Efficient Ethernet IEEE 802.3af Power-Over-Ethernet IEEE 802.3at Power Over Ethernet Plus PSE	
Forwarding Modes	Store and Forward	
Packet Buffer	2Mbit	
MAC Table	16k	
Switching Capacity	12Gbps	20Gbps
Packet Forwarding Rate	8.9Mpps	14.9Mpps
Jumbo Frame	10kB	
<b>Power Supply</b>		
Input Voltage	Power 1 (Main): 44~57V DC, Power 2 (Backup): 44~57V DC	
Power Consumption	Full loading without PoE ≤ 6W PoE power budget ≤ 120W	Full loading without PoE ≤ 10W PoE power budget ≤ 240W
Connector	Removable 6-pin terminal block	
Reverse polarity protection	Support	
Over-voltage protection	Support	
Over-current protection	Support	

Environmental Reliability		
Industrial Standard	EMI: FCC Part 15B Class A	
	Surge protection of power: IEC 61000-4-5 6kV/4kV 8/20us	
	Surge protection of Ethernet ports: IEC 61000-4-5 6kV/2kV 10/700us	
	RS: IEC 61000-4-3 80 MHz-1 Ghz: 10 V/m	
	EFT: IEC 61000-4-4 power interface: 4k Ethernet ports: 2k	
	CS: IEC 61000-4-6 10V	
	ESD: IEC 61000-4-2 Level 4 8kV/15kV	
	Shock: IEC 60068-2-27	
	Free fall: IEC 60068-2-32	
	Vibration: IEC 60068-2-6	
Operating Temperature	-40°C~75°C	
Storage Temperature	-40°C~85°C	
Operating Humidity	5%~95% (Non-condensation)	
LED Indicators		
P (Power indicator)	Off: the device is power off or failed Green On: the device power on is normal	
S (PoE Usage indicator)	Off: total PoE usage < 50% Red blinking: 50% < total PoE usage < 90% Red on: total PoE usage ≥ 90%	
Copper ports	1-4 Green indicators Off: ports link down On: ports link up Blinking: data on TX/RX	1-8 Green indicators Off: ports link down On: ports link up Blinking: data on TX/RX
	1-4 Yellow indicators Off: PoE not working On: PoE working	1-8 Yellow indicators Off: PoE not working On: PoE working
Fiber ports	5-6 Fiber ports indicators Off: ports link down Green On: ports link up Green Blinking: data on TX/RX	9-10 Fiber ports indicators Off: ports link down Green On: ports link up Green Blinking: data on TX/RX
Dimensions (W*D*H)	54*98*130mm	
Net Weight	780g	870g
Installation	Desktop/DIN-rail	
Certifications		
Certifications	CE, FCC, RoHS	

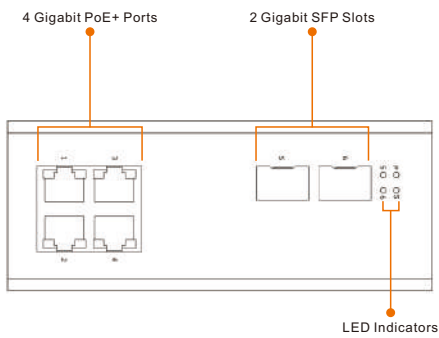
# Appearances and Dimensions

SP3006F

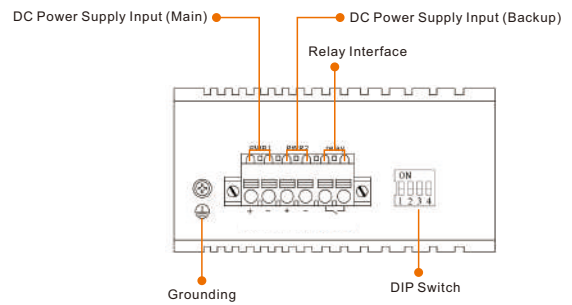
Dimensions (mm)



Front Panel

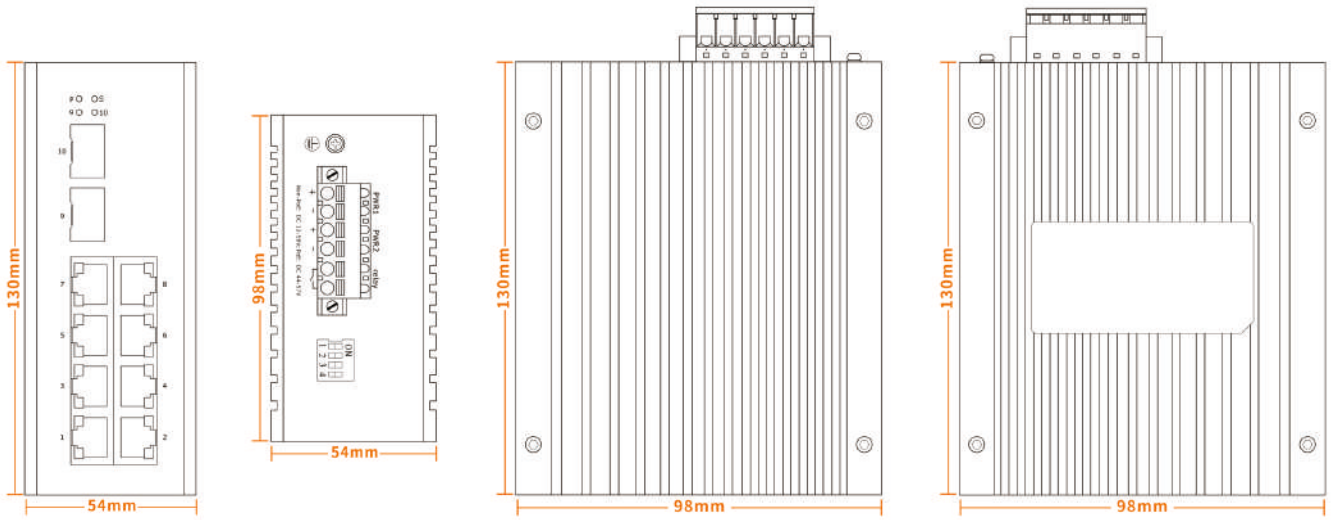


Side Panel

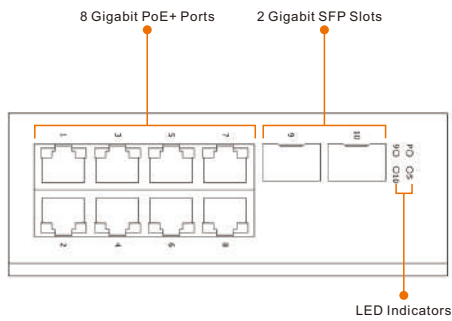


SP3010F

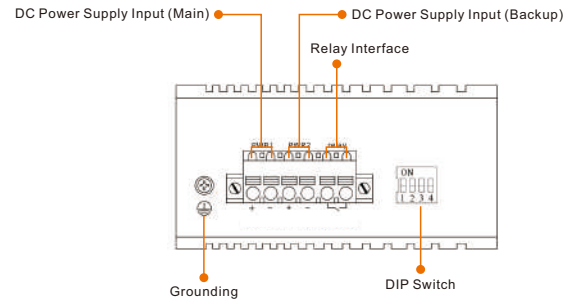
Dimensions (mm)



Front Panel



Side Panel



# Package Contents

Welcome to order our products. After purchasing, you will receive:

Items	Quantity
Industrial Switch	1 pcs
Quick Installation Guide	1 pcs



Wireless-Tek Technology Limited

Address: Room 402 4F, BiaoFan Technology Building, Bao'An Avenue, FuYong Town, Bao'An district, ShenZhen

Website: [www.wireless-tek.com](http://www.wireless-tek.com)

Tel: 86-0755-32811290

Email: [sales@wireless-tek.com](mailto:sales@wireless-tek.com)

Technical Support: [tech@wireless-tek.com](mailto:tech@wireless-tek.com)



Technical Support



Cloud Management



Company Website